

Technical data

	operation when directly connected to chimney		operation when connected accumulation mass		
	cupola	hot air exchanger	cupola	adaptor	
Energy label	A+	A+	A+	A+	
Operating data					
Nominal heat power	7 kW	11 kW	----	----	
Efficiency	> 80 %	> 80 %	----	----	
Consumption of wood	2,1 kg/h	3,2 kg/h	8 kg	5,1 kg	8 kg
Total heat output of the burning chamber	----	----	30 kW	20 kW	30 kW
Average heat output / heat accumulation time ⁵	----	----	3 kW / 8 h	2,0 kW / 8 h	3 kW / 8 h
Mass flow of flue gas	7,3 g/s	7,3 g/s	20 g/s	13,3 g/s	20 g/s
Required chimney pressure	12 Pa	12 Pa	12 Pa	15 Pa	16 Pa
Required amount of combustion air	20 m ³ /h	30 m ³ /h	70 m ³ /h	45 m ³ /h	70 m ³ /h
Average flue gas temperature					
on the output	230 °C	248 °C	500 °C	370 °C	465 °C
behind 5,1 m of ceramic accumulation system KMS 300 ¹	----	----	250 °C	----	
behind accumulation rings (5x acc. ring Ø440mm)	----	----	----	196 °C	----
behind accumulation rings (8x acc. ring Ø440mm)	----	----	----	----	250 °C
Heat distribution					
fireplace insert	62–74 %	62–74 %	37 %	33 %	
door glass (single / double)	38 / 26 %	38 / 26 %	38 / 26 %	38 / 26 %	
additional accumulation mass	----	----	25–37 %	29–41 %	
Information for ventilated builds					
Minimal grill area supply / outgoing	700 / 850 cm ²	950 / 1150 cm ²	950 / 1150 cm ²	950 / 1150 cm ²	
Minimum distance from insulated areas / floor	80 / 0 mm		80 / 0 mm		
Reference insulation ² ceiling / back wall / side wall / floor	120 / 80 / 80 / 0 mm		120 / 80 / 80 / 0 mm		
Calciumsilicate insulation ³ ceiling / back wall / side wall / floor	90 / 60 / 60 / 0 mm		90 / 60 / 60 / 0 mm		
Information for non-ventilated builds (closed grills)					
Minimum radiant area ⁴	suitable		6 m ²	6 m ²	
Minimum distance from insulated areas / floor	80 / 20 mm		80 / 20 mm		
Reference insulation ² ceiling / back wall / side wall / floor	160 / 100 / 100 / 20 mm		160 / 100 / 100 / 20 mm		
Calciumsilicate insulation ³ ceiling / back wall / side wall / floor	120 / 75 / 75 / 20 mm		120 / 75 / 75 / 20 mm		
General technical information					
Total weight / lining weight	circa 230 / 87 kg		circa 230 / 87 kg		
Burning chamber dimensions (width x depth)	540 x 305 mm				
Combustion air connection	Ø 150 mm				
Use in non-ventilated accumulation builds according to craft rules	suitable				
Tested according to	EN 13229				
Meets values	1. BImSchV (Stufe2), 15a BVG				

¹ Listed value from testing. For accurate results is evaluation of each system in the Ortner / KOV program necessary

² Mineral wool according to AGI-Q 132

³ Example SkamoEnclosure Board 225 kg/m³

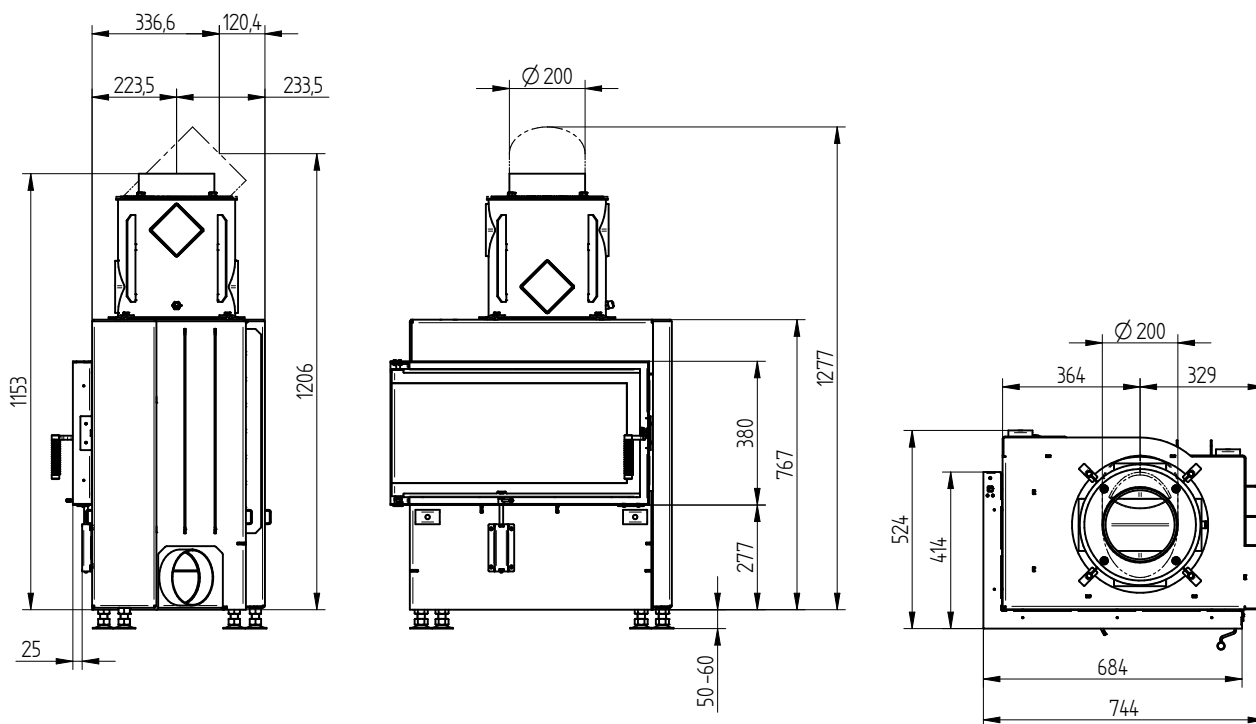
⁴ Depends on accumulation period and material characteristics. Listed values calculated with average specific heat output = approx. 500 W/m²

⁵ Storage operation, one wood charge for storage duration, with closed construction and efficiency > 80%

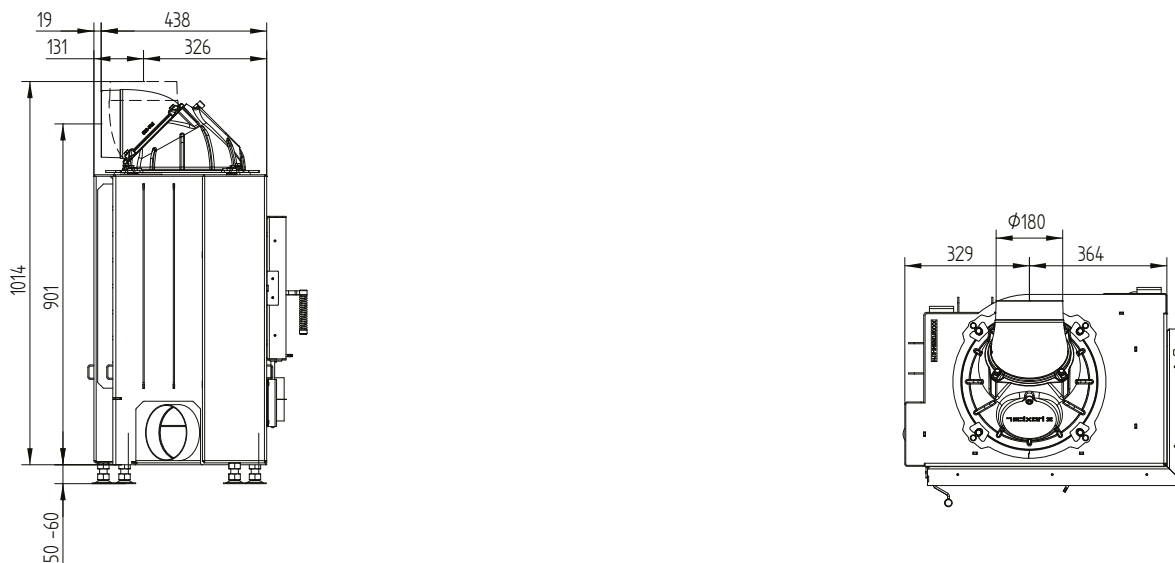
ECKA 70/40/38LN

Technical data
Version 09/2023

ECKA 70/40/38L left secondary burning chamber side opening hot air exchanger vertical / smoke outlet 45°



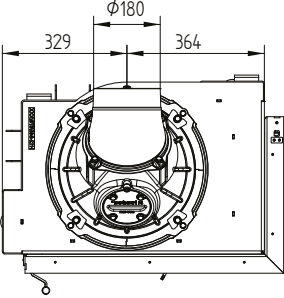
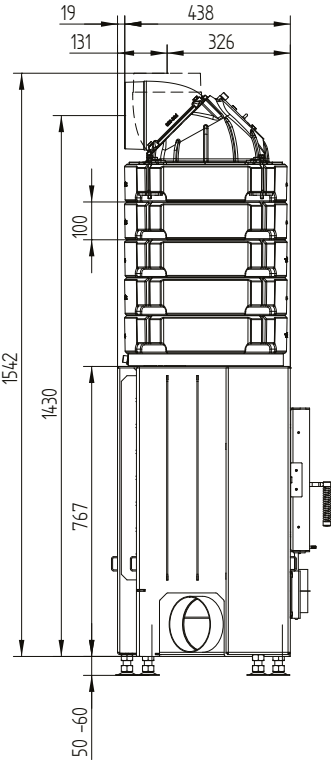
ECKA 70/40/38LN left side opening secondary burning chamber cupola




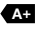

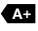
ECKA 70/40/38LN

Technical data
Version 09/2023

ECKA 70/40/38LN left side opening secondary burning chamber accumulation set



Technical data

	operation when directly connected to chimney		operation when connected accumulation mass		
	cupola	hot air exchanger	cupola	adaptor	
Energy label					
Operating data					
Nominal heat power	7 kW	11 kW	----	----	
Efficiency	> 80 %	> 80 %	----	----	
Consumption of wood	2,1 kg/h	3,2 kg/h	8 kg	5,1 kg	8 kg
Total heat output of the burning chamber	----	----	30 kW	20 kW	30 kW
Average heat output / heat accumulation time ⁵	----	----	3 kW / 8 h	2,0 kW / 8 h	3 kW / 8 h
Mass flow of flue gas	7,3 g/s	7,3 g/s	20 g/s	13,3 g/s	20 g/s
Required chimney pressure	12 Pa	12 Pa	12 Pa	15 Pa	16 Pa
Required amount of combustion air	20 m ³ /h	30 m ³ /h	70 m ³ /h	45 m ³ /h	70 m ³ /h
Average flue gas temperature					
on the output	230 °C	248 °C	500 °C	370 °C	465 °C
behind 5,1 m of ceramic accumulation system KMS 300 ¹	----	----	250 °C	----	
behind accumulation rings (5x acc. ring Ø440mm)	----	----	----	196 °C	----
behind accumulation rings (8x acc. ring Ø440mm)	----	----	----	----	250 °C
Heat distribution					
fireplace insert	62–74 %	62–74 %	37 %	33 %	
door glass (single / double)	38 / 26 %	38 / 26 %	38 / 26 %	38 / 26 %	
additional accumulation mass	----	----	25–37 %	29–41 %	
Information for ventilated builds					
Minimal grill area supply / outgoing	700 / 850 cm ²	950 / 1150 cm ²	950 / 1150 cm ²	950 / 1150 cm ²	
Minimum distance from insulated areas / floor	80 / 0 mm		80 / 0 mm		
Reference insulation ² ceiling / back wall / side wall / floor	120 / 80 / 80 / 0 mm		120 / 80 / 80 / 0 mm		
Calciumsilicate insulation ³ ceiling / back wall / side wall / floor	90 / 60 / 60 / 0 mm		90 / 60 / 60 / 0 mm		
Information for non-ventilated builds (closed grills)					
Minimum radiant area ⁴	suitable		6 m ²	6m ²	
Minimum distance from insulated areas / floor	80 / 20 mm		80 / 20 mm		
Reference insulation ² ceiling / back wall / side wall / floor	160 / 100 / 100 / 20 mm		160 / 100 / 100 / 20 mm		
Calciumsilicate insulation ³ ceiling / back wall / side wall / floor	120 / 75 / 75 / 20 mm		120 / 75 / 75 / 20 mm		
General technical information					
Total weight / lining weight	circa 230 / 87 kg		circa 230 / 87 kg		
Burning chamber dimensions (width x depth)	540 x 305 mm				
Combustion air connection	Ø 150 mm				
Use in non-ventilated accumulation builds according to craft rules	suitable				
Tested according to	EN 13229				
Meets values	1. BImSchV (Stufe2), 15a BVG				

¹ Listed value from testing. For accurate results is evaluation of each system in the Ortner / KOV program necessary

² Mineral wool according to AGI-Q 132

³ Example SkamoEnclosure Board 225 kg/m³

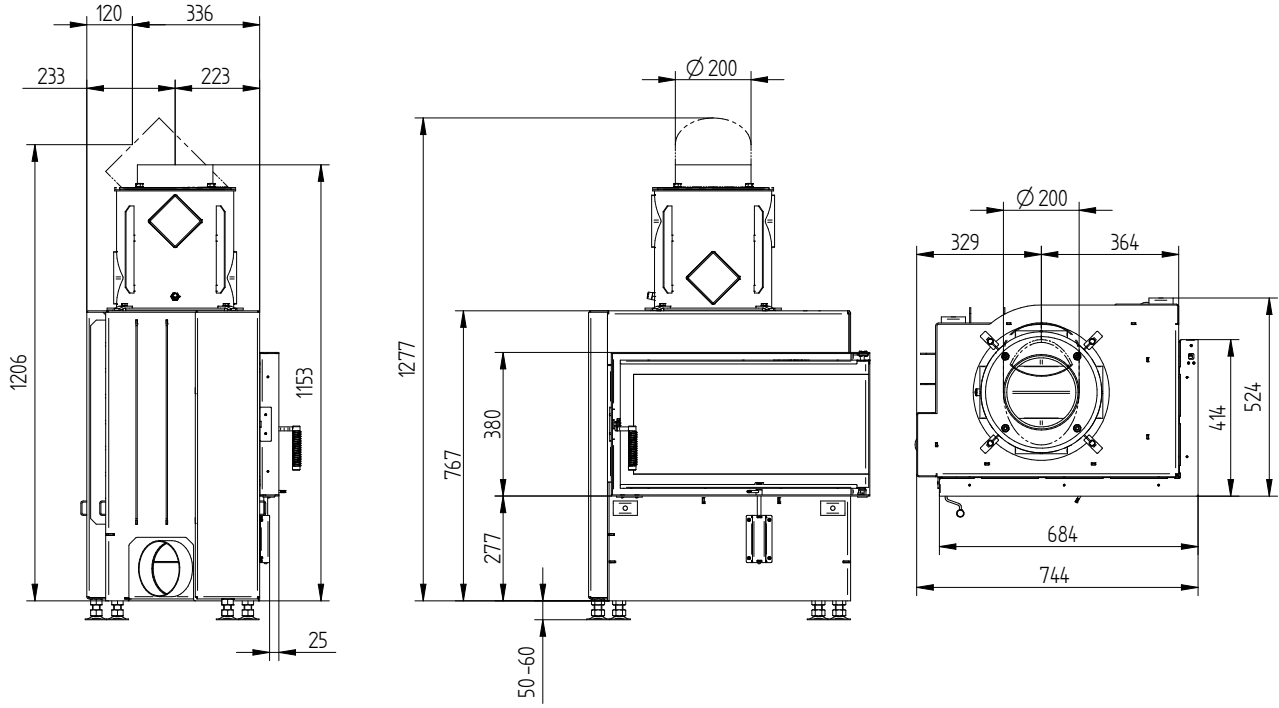
⁴ Depends on accumulation period and material characteristics. Listed values calculated with average specific heat output = approx. 500 W/m²

⁵ Storage operation, one wood charge for storage duration, with closed construction and efficiency > 80%

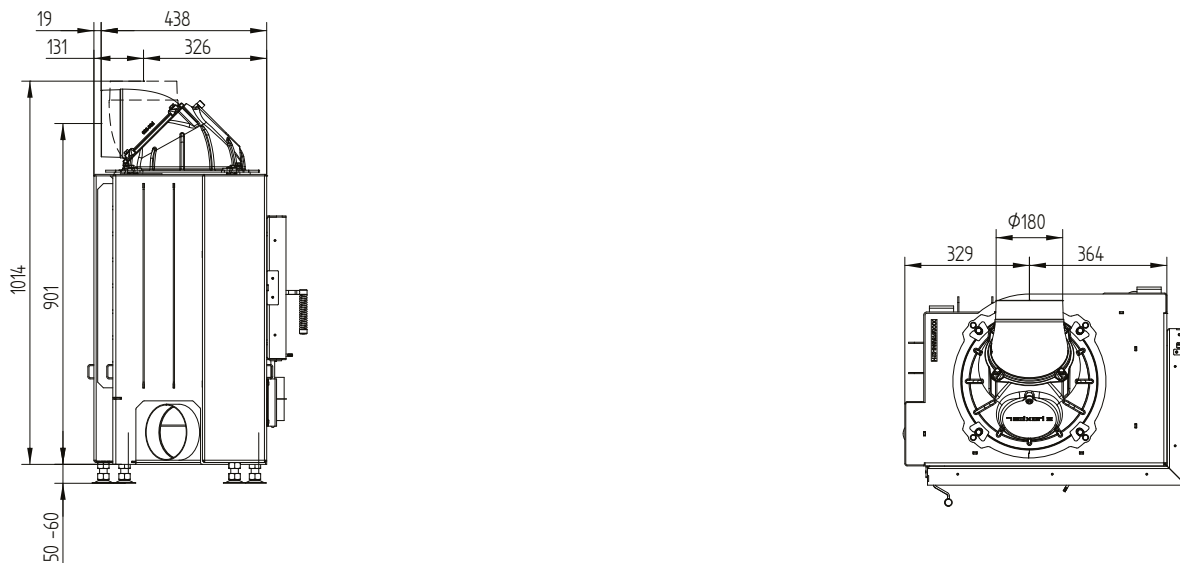
ECKA 70/40/38RN

Technical data
Version 09/2023

ECKA 70/40/38RN right secondary burning chamber side opening hot air exchanger vertical / smoke outlet 45°



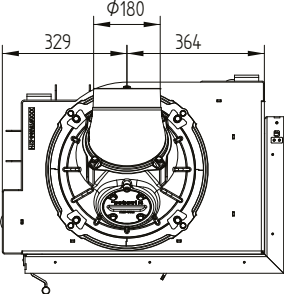
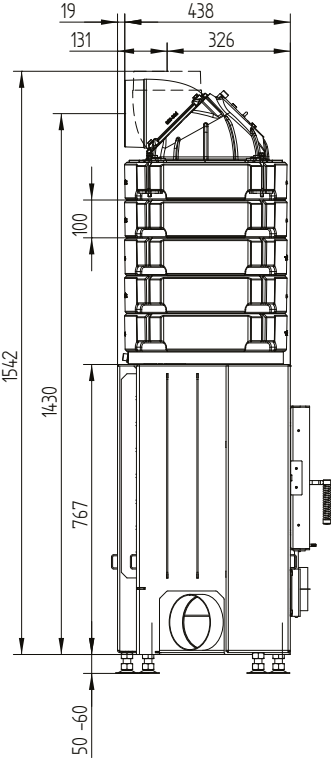
ECKA 70/40/38R right side opening secondary burning chamber cupola



ECKA 70/40/38RN

Technical data
Version 09/2023

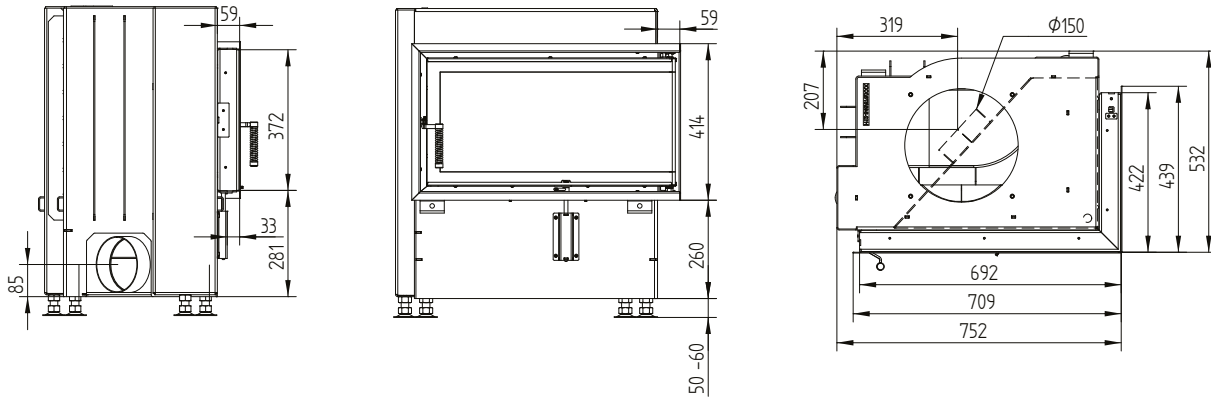
ECKA 70/40/38R right side opening secondary burning chamber accumulation set



ECKA 70/40/38RN

Technical data
Version 09/2023

Cover frame 70/40/38 left-right side opening 6sides 60 mm 1 x 90° / air inlet



Build-on frame 70/40/38R right side opening 6sides 80 mm / feet

