

Technical data

	operation when connected accumulation mass				
	Certified values		Operating values		
	cupola	adaptor	side output / cupola	side output / cupola	adaptor
Energy label	A+		----	----	----
Operating data					
Nominal heat power	12 kW		----	----	----
Efficiency	>85 %		----	----	----
Consumption of wood	2,9 kg/h		5 kg	10 kg	5 kg
Total heat output of the burning chamber ⁶	----		20 kW	40 kW	20 kW
Average heat output / heat accumulation time ⁵	----		2 kW / 8 h	2,7 kW / 12 h	2 kW / 8 h
Mass flow of flue gas	11 g/s		14 g/s	25 g/s	14 g/s
Required chimney pressure	12 Pa	15 Pa	15 Pa	15 Pa	16 Pa
Required amount of combustion air	25 m ³ /h		45 m ³ /h	85 m ³ /h	45 m ³ /h
Average flue gas temperature					
on the output (in front of accumulation mass)	348 °C	343 °C	427 / 372 °C	616 / 552 °C	435 °C
behind 2,1 m of ceramic accumulation set KMS 300	194 °C	----	----	----	----
behind accumulation rings (6x acc. ring Ø440mm)	----	219 °C	----	----	----
behind 3,5 m of ceramic accumulation system KMS 300 ¹	----	----	198 °C / –	----	----
behind 5 m of ceramic accumulation system KMS 300 ¹	----	----	----	185 °C / –	----
behind accumulation rings (8x acc. ring Ø440mm)	----	----	----	----	265 °C
Heat distribution					
heating insert	20-30 %				
door glass (single / double)	32 %				
additional accumulation mass	38-48 %				
Information for ventilated builds					
Minimal grill area supply / outgoing	700 / 850 cm ²				
Minimum distance from insulated areas / floor	80 / 0 mm				
Reference insulation ² ceiling / back wall / side wall / floor	120 / 80 / 80 / 0 mm				
Calciumsilicate insulation ³ ceiling / back wall / side wall / floor	90 / 60 / 60 / 0 mm				
Information for non-ventilated builds (closed grills)					
Minimum radiant area ⁴	suitable		5,5 m ²		
Minimum distance from insulated areas / floor	80 / 20 mm		80 / 20 mm		
Reference insulation ² ceiling / back wall / side wall / floor	160 / 100 / 100 / 20 mm		160 / 100 / 100 / 20 mm		
Calciumsilicate insulation ³ ceiling / back wall / side wall / floor	120 / 75 / 75 / 20 mm		120 / 75 / 75 / 20 mm		
General technical information					
Total weight / lining weight	circa 230 / 95 kg				
Burning chamber dimensions (width x depth)	360 x 375 mm				
Combustion air connection	Ø 150 mm				
Use in non-ventilated accumulation builds according to craft rules	suitable ⁴		----		
Tested according to	EN 13229		----		
Meets values	1. BImSchV (Stufe2), 15a BVG		----		

1 Listed value from testing. For accurate results is evaluation of each system in the Ortner / KOV program necessary

2 Mineral wool according to AGI-Q 132

3 Example SkamoEnclosure Board 225 kg/m³

4 Depends on accumulation period and material characteristics. Listed values calculated with average specific heat output = approx. 500 W/m²

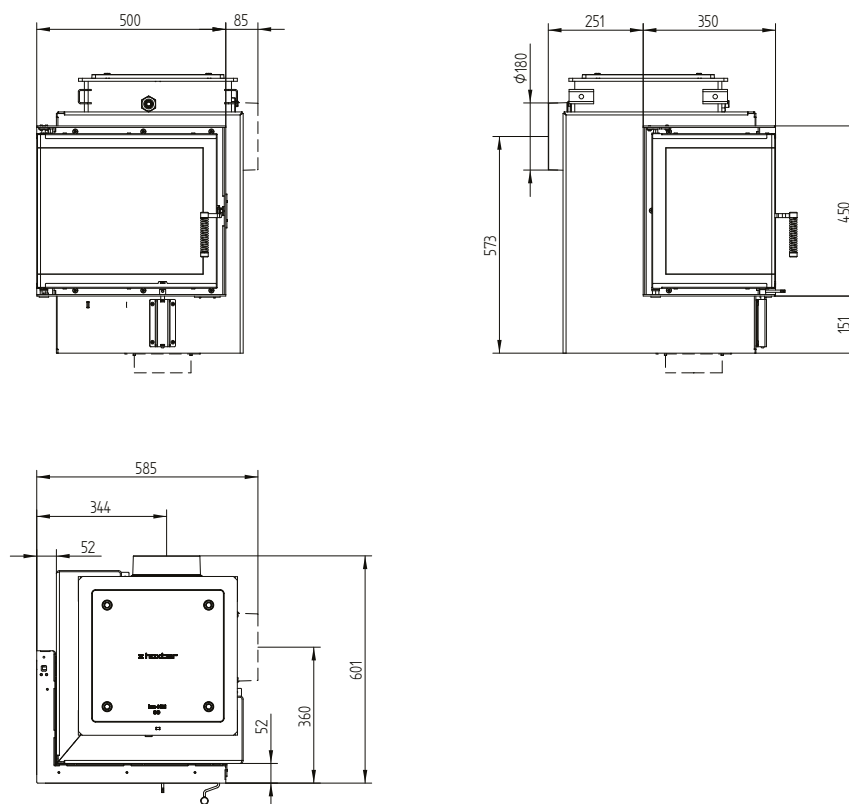
5 Storage operation, one wood charge for storage duration, with closed construction and efficiency > 80%

6 With maximum possible fuel quantity wood 4 kWh/kg, without consideration of efficiency losses

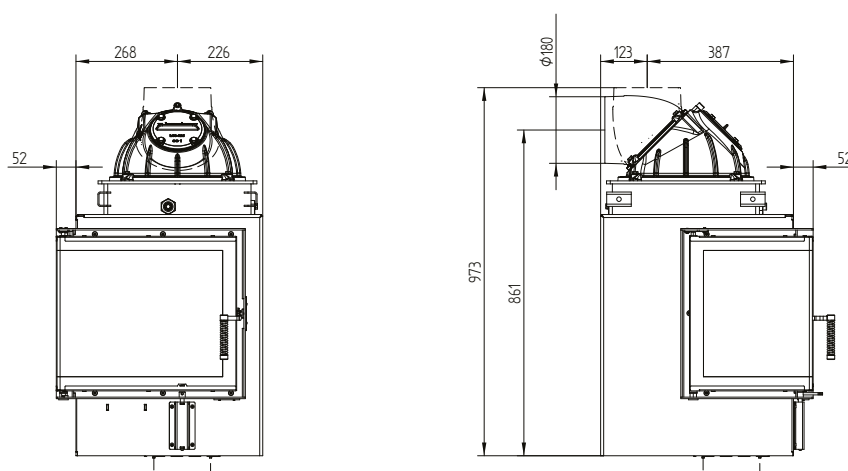
HE 50/35/45L

Technical data
Version 09/2023

HE 50/35/45L left additional smoke outlet $\varnothing 180$



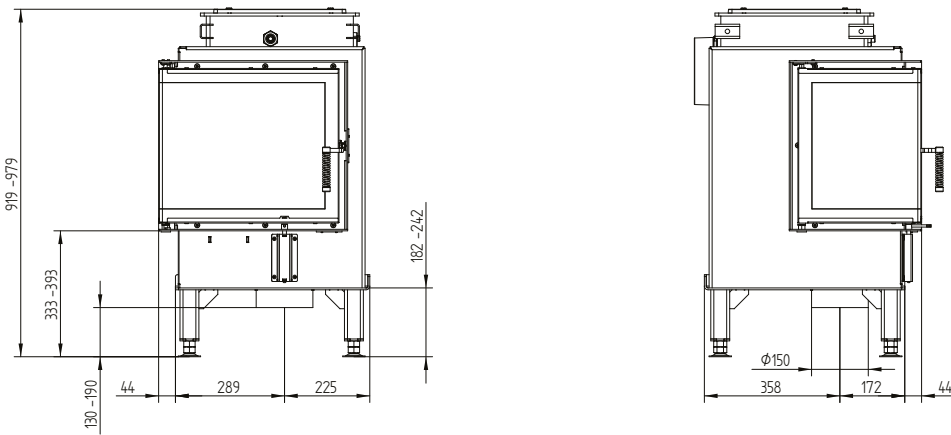
HE 50/35/45L left cupola $\varnothing 180$ with opening for cleaning



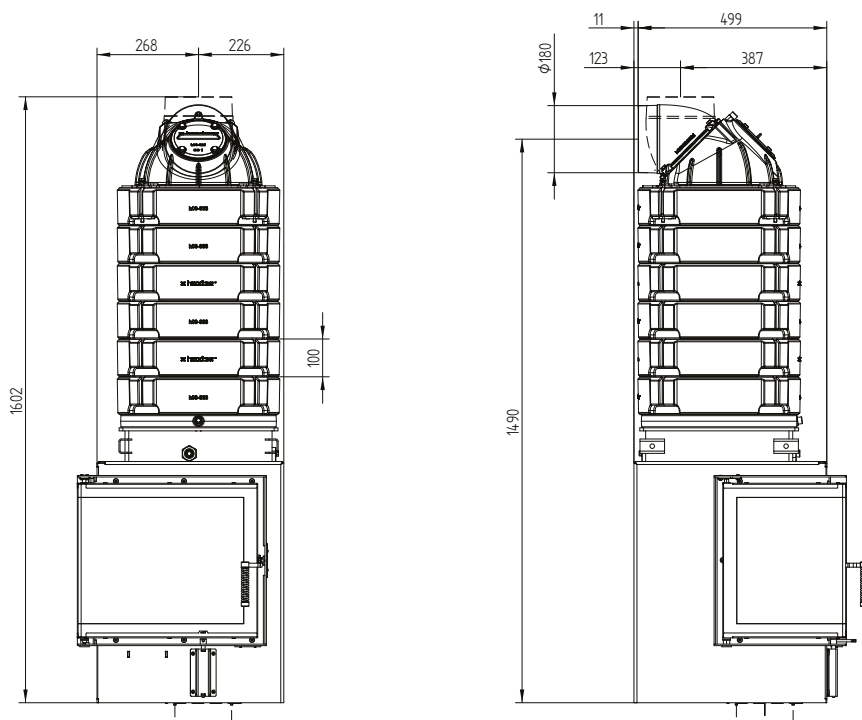
HE 50/35/45L

Technical data
Version 09/2023

HE 50/35/45L left support frame / vertical air inlet adaptor



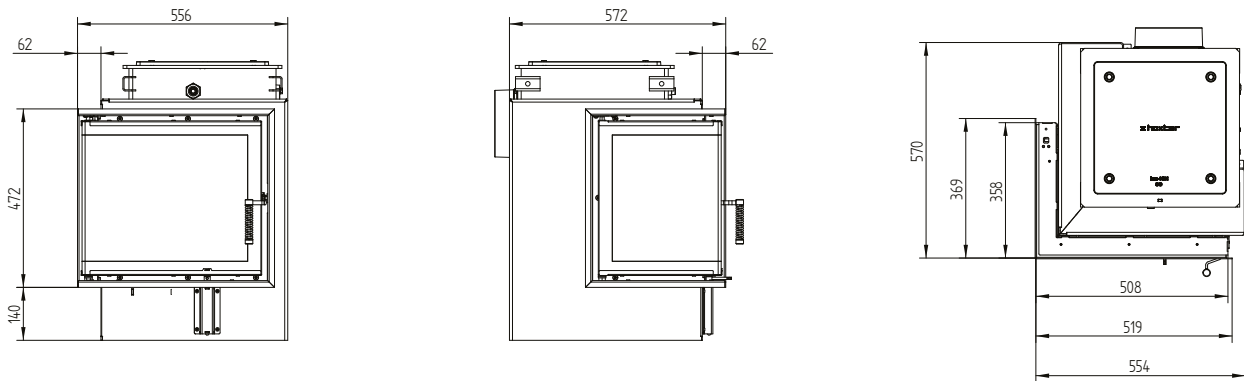
HE 50/35/45L left accumulation set



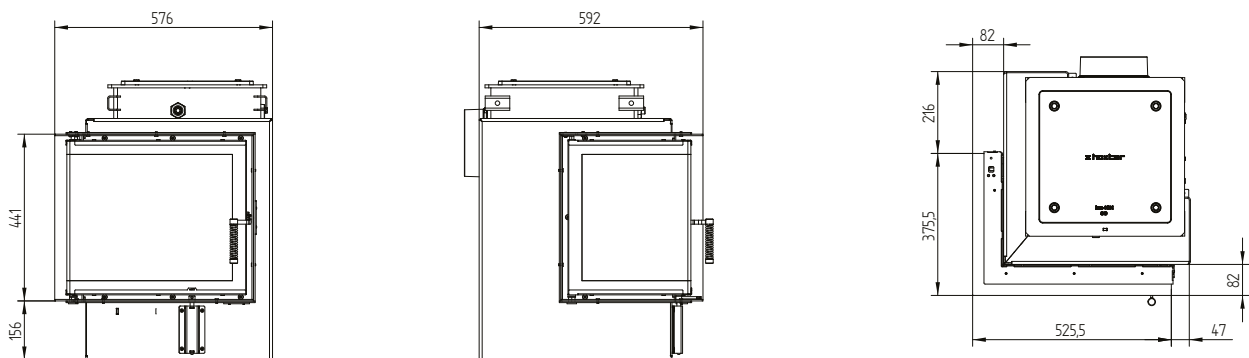
HE 50/35/45L

Technical data
Version 09/2023

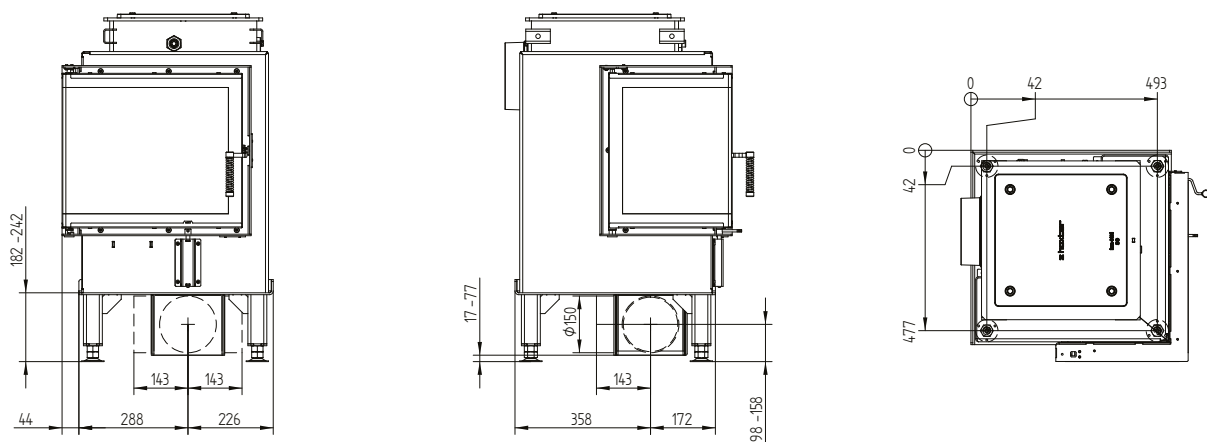
Cover frame 50/35/45L left 6sides 1 x 90° 60 mm



Build-on frame 50/35/45L left 6sides 80 mm



HE 50/35/45L left support frame / horizontal air inlet adaptor / feet



Technical data

	operation when connected accumulation mass				
	Certified values		Operating values		
	cupola	adaptor	side output / cupola	side output / cupola	adaptor
Energy label	A+		----	----	----
Operating data					
Nominal heat power	12 kW		----	----	----
Efficiency	>85 %		----	----	----
Consumption of wood	2,9 kg/h		5 kg	10 kg	5 kg
Total heat output of the burning chamber ⁶	----		20 kW	40 kW	20 kW
Average heat output / heat accumulation time ⁵	----		2 kW / 8 h	2,7 kW / 12 h	2 kW / 8 h
Mass flow of flue gas	11 g/s		14 g/s	25 g/s	14 g/s
Required chimney pressure	12 Pa	15 Pa	15 Pa	15 Pa	16 Pa
Required amount of combustion air	25 m ³ /h		45 m ³ /h	85 m ³ /h	45 m ³ /h
Average flue gas temperature					
on the output (in front of accumulation mass)	348 °C	343 °C	427 / 372 °C	616 / 552 °C	435 °C
behind 2,1 m of ceramic accumulation set KMS 300	194 °C	----	----	----	----
behind accumulation rings (6x acc. ring Ø440mm)	----	219 °C	----	----	----
behind 3,5 m of ceramic accumulation system KMS 300 ¹	----	----	198 °C / –	----	----
behind 5 m of ceramic accumulation system KMS 300 ¹	----	----	----	185 °C / –	----
behind accumulation rings (8x acc. ring Ø440mm)	----	----	----	----	265 °C
Heat distribution					
heating insert	20-30 %				
door glass (single / double)	32 %				
additional accumulation mass	38-48 %				
Information for ventilated builds					
Minimal grill area supply / outgoing	700 / 850 cm ²				
Minimum distance from insulated areas / floor	80 / 0 mm				
Reference insulation ² ceiling / back wall / side wall / floor	120 / 80 / 80 / 0 mm				
Calciumsilicate insulation ³ ceiling / back wall / side wall / floor	90 / 60 / 60 / 0 mm				
Information for non-ventilated builds (closed grills)					
Minimum radiant area ⁴	suitable		5,5 m ²		
Minimum distance from insulated areas / floor	80 / 20 mm		80 / 20 mm		
Reference insulation ² ceiling / back wall / side wall / floor	160 / 100 / 100 / 20 mm		160 / 100 / 100 / 20 mm		
Calciumsilicate insulation ³ ceiling / back wall / side wall / floor	120 / 75 / 75 / 20 mm		120 / 75 / 75 / 20 mm		
General technical information					
Total weight / lining weight	circa 230 / 95 kg				
Burning chamber dimensions (width x depth)	360 x 375 mm				
Combustion air connection	Ø 150 mm				
Use in non-ventilated accumulation builds according to craft rules	suitable ⁴		----		
Tested according to	EN 13229		----		
Meets values	1. BImSchV (Stufe2), 15a BVG		----		

1 Listed value from testing. For accurate results is evaluation of each system in the Ortner / KOV program necessary

2 Mineral wool according to AGI-Q 132

3 Example SkamoEnclosure Board 225 kg/m³

4 Depends on accumulation period and material characteristics. Listed values calculated with average specific heat output = approx. 500 W/m²

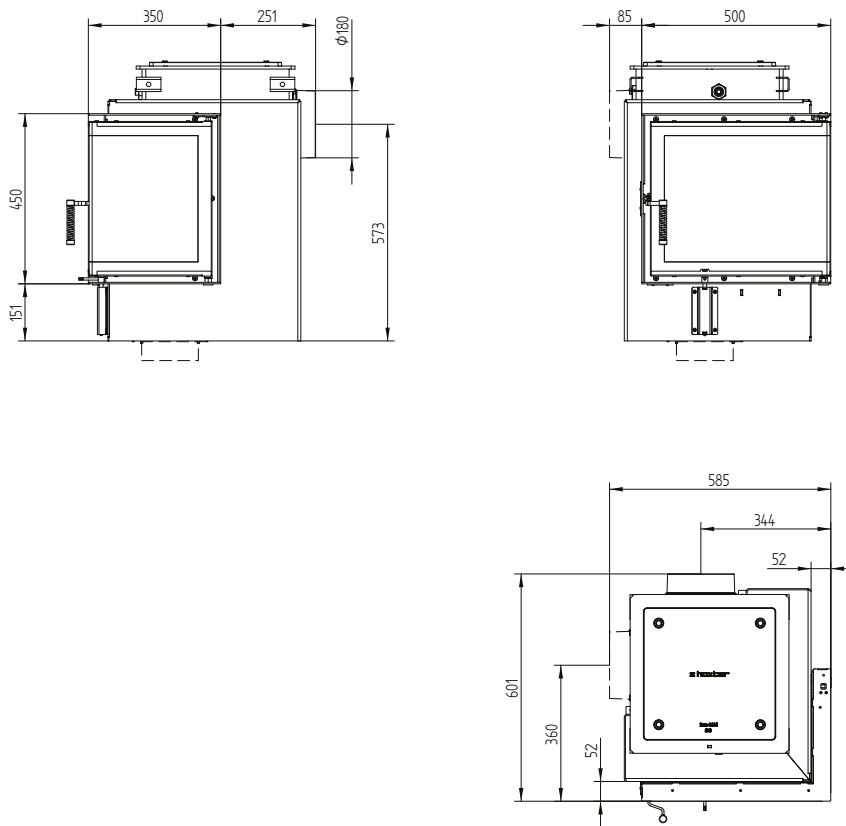
5 Storage operation, one wood charge for storage duration, with closed construction and efficiency > 80%

6 With maximum possible fuel quantity wood 4 kWh/kg, without consideration of efficiency losses

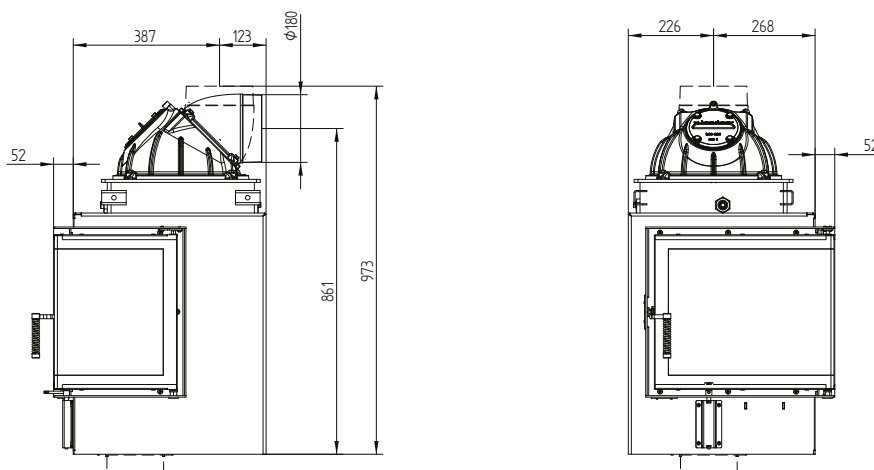
HE 50/35/45R

Technical data
Version 09/2023

HE 50/35/45R right additional smoke outlet $\varnothing 180$



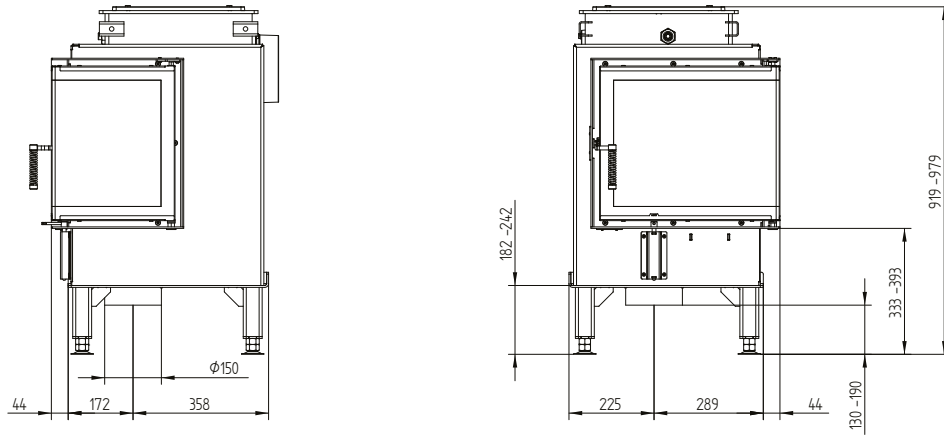
HE 50/35/45R right cupola $\varnothing 180$ with opening for cleaning



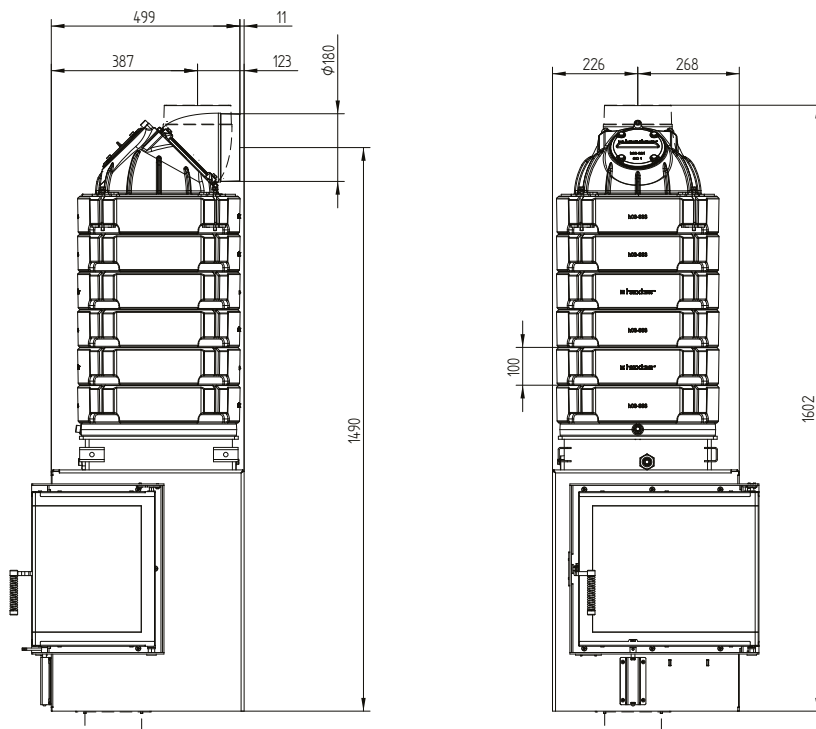
HE 50/35/45R

Technical data
Version 09/2023

HE 50/35/45R right support frame / vertical air inlet adaptor



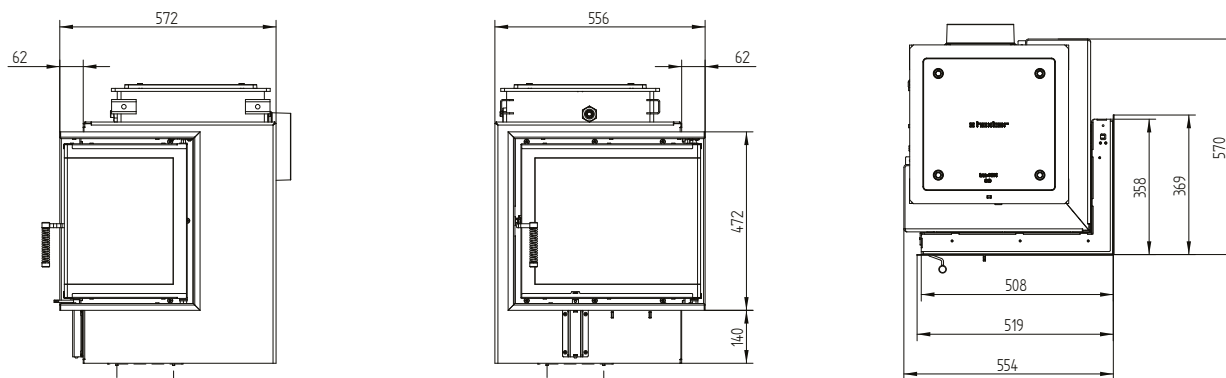
HE 50/35/45R right accumulation set



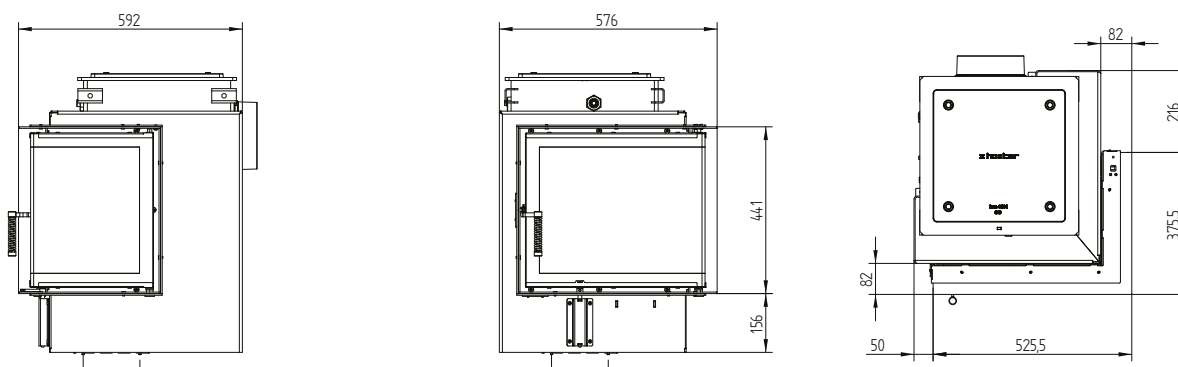
HE 50/35/45R

Technical data
Version 09/2023

Cover frame 50/35/45R right 6sides 1 x 90° 60 mm



Build-on frame 50/35/45R right 6sides 80 mm



HE 50/35/45R right support frame / horizontal air inlet adaptor / feet

